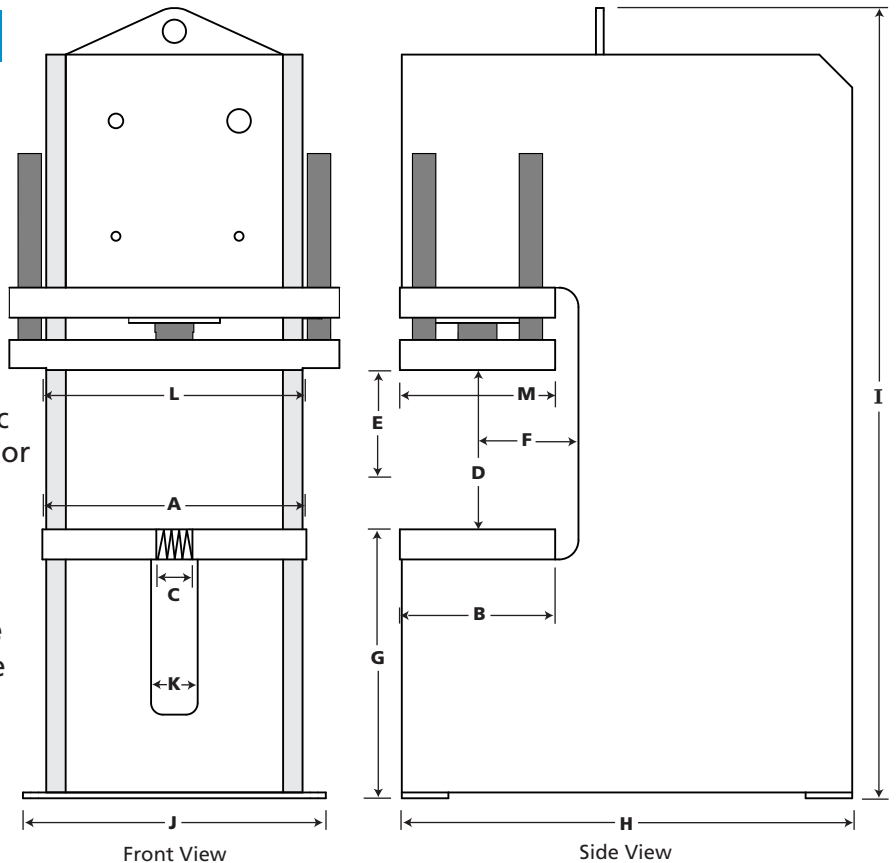


MODEL NUMBER	KEY	CFP-200
Tons of force (maximum)		200
Approach speed (inches per minute)		65
Press speed (inches per minute)		6
Return speed (inches per minute)		78
Table (left to right)	A	35
Table (front to back)	B	22
U-Slot width	C	4
Daylight	D	20
Maximum stroke (adjustable)	E	15
Throat	F	13
Floor to table	G	34.75
Front to back	H	58
Height (overall)	I	102
Width	J	40
Clearance	K	6
Upper platen (left to right)	L	35
Upper platen (front to back)	M	22
Motor HP @ 1750 RPM		15 HP
Voltages available		230 / 460 / 575 3 PH. 60 HZ.

C FRAME PRESS 200 TON

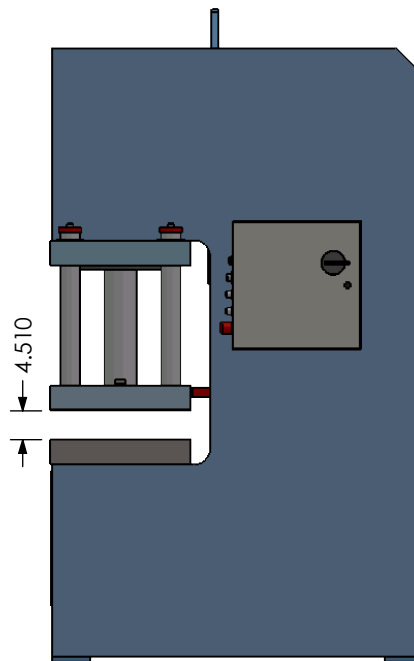
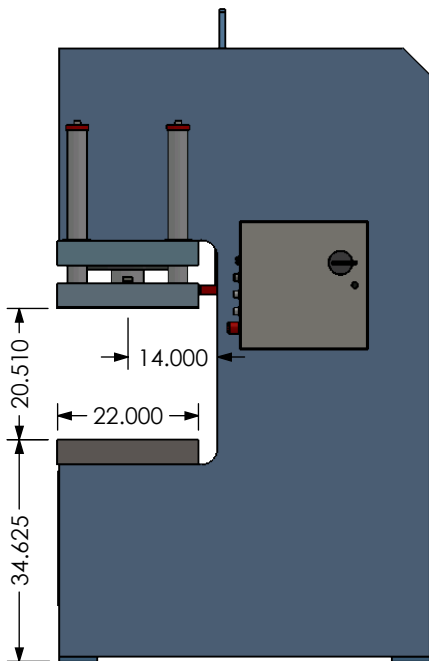
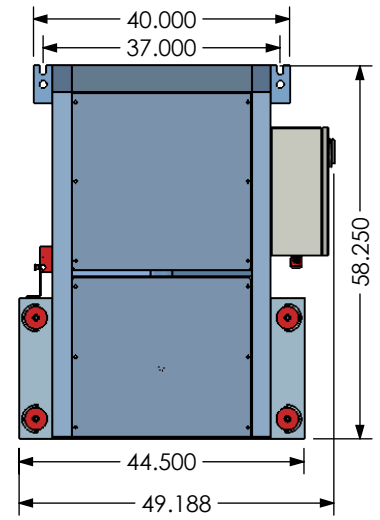
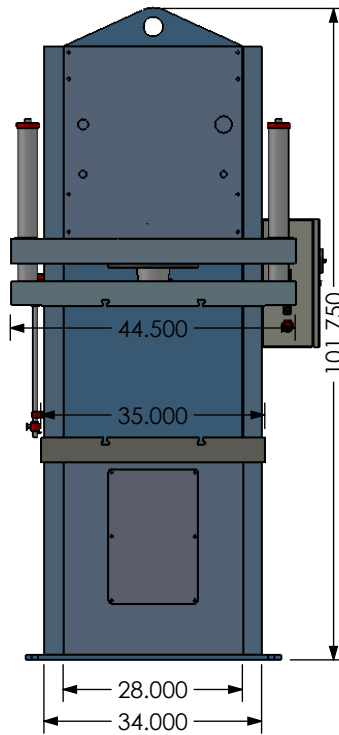
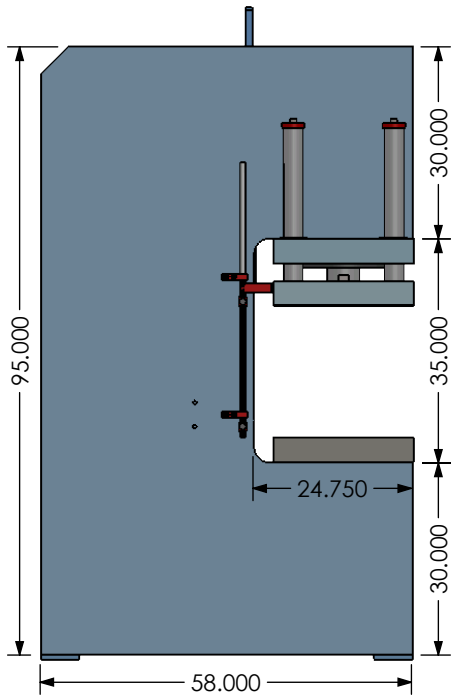
STANDARD FEATURES

- ✓ Pressure gauge.
- ✓ Pressure regulator.
- ✓ Adjustable speed control.
- ✓ Adjustable stroke control.
- ✓ Pressure reversal switch.
- ✓ Ram travel is guided by 4 precision-ground rods.
- ✓ Jog mode used for simplifying setups.
- ✓ Dual Control - your choice of using:
 - (1) Moveable pedestal c/w dual electric palm buttons & extra emergency stop or
 - (2) Foot pedal.
- ✓ P.L.C. programmable control system.
- ✓ Quality BALDOR motor, low speed.
- ✓ Air-Cooled industrial oil cooler.
- ✓ **All hydraulic and mechanical parts are standard** in the industry, and available throughout North America.



MODEL	WEIGHT (LBS.)	SHIPPING DIMENSIONS L x W x H
CFP-200	15,400	64" x 59" x 110"

C FRAME PRESS 200 TON



C FRAME PRESS 200 TON

